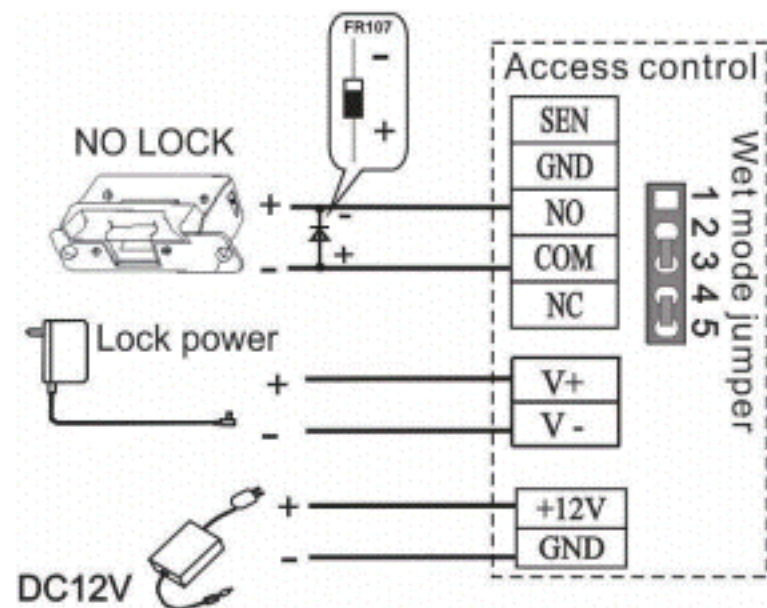
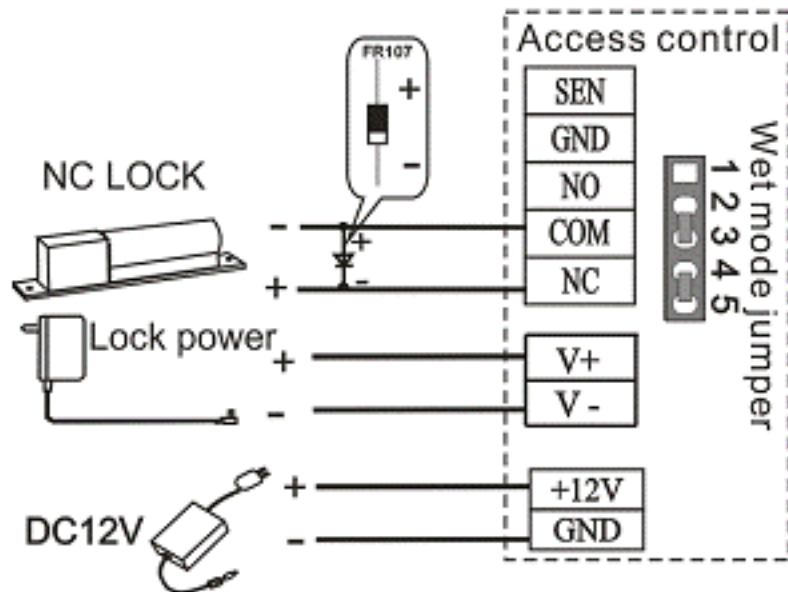


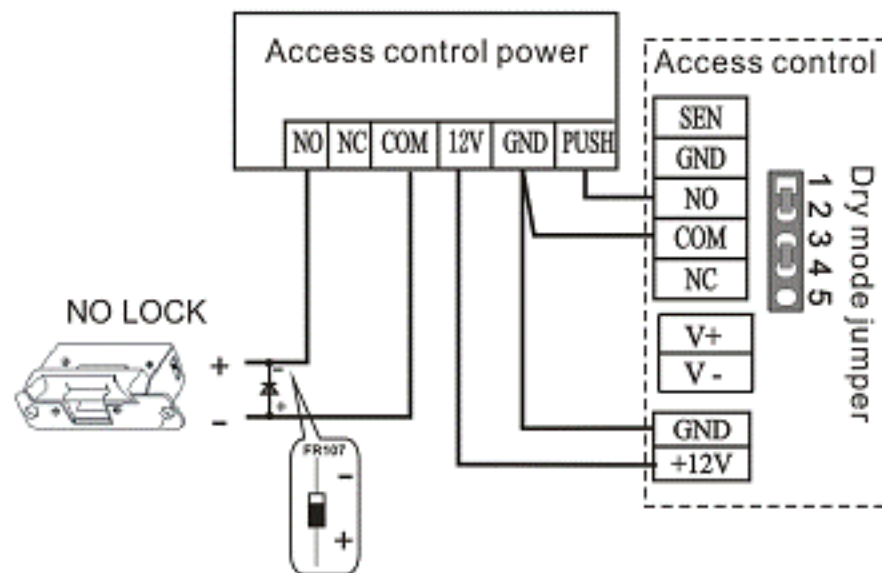
1. Wet mode: External power supply for NO Lock



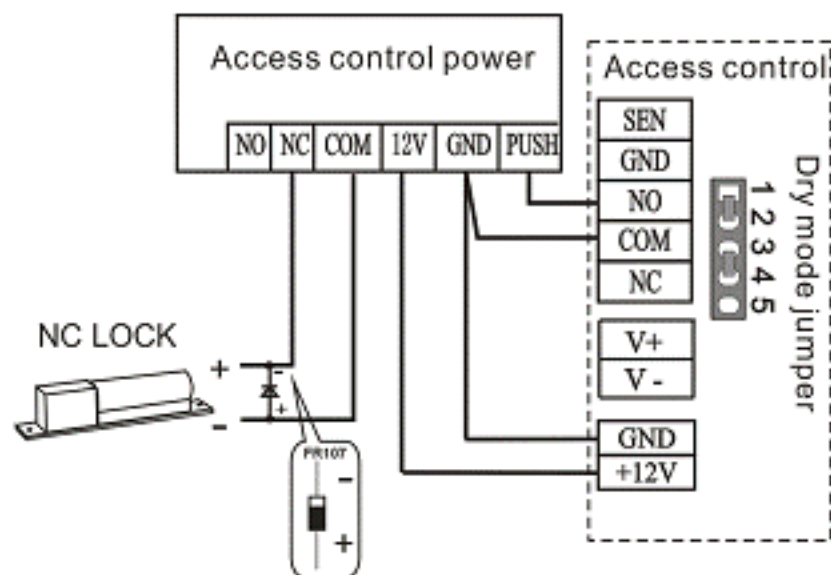
2. Wet mode: External power supply for NC Lock



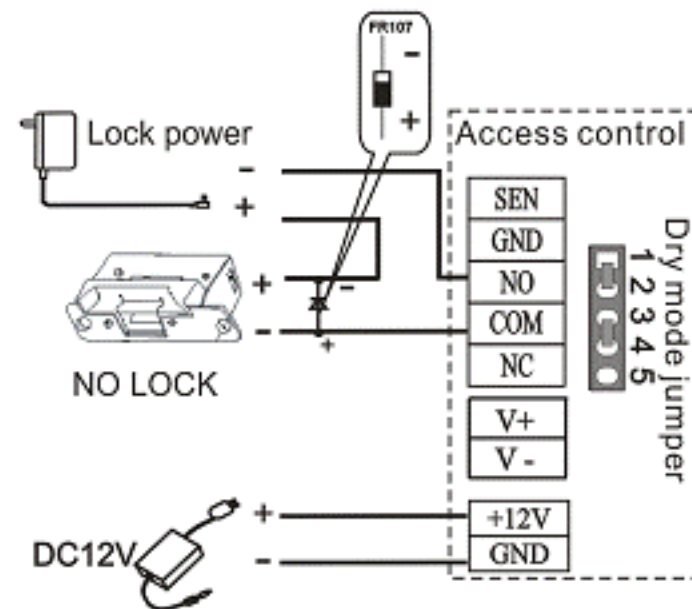
5. Dry mode: NO Lock under the binary value control.



6. Dry mode: NC Lock under the binary value control.



3. Dry mode: External power supply for NO Lock



4. Dry mode: External power supply for NC Lock

